



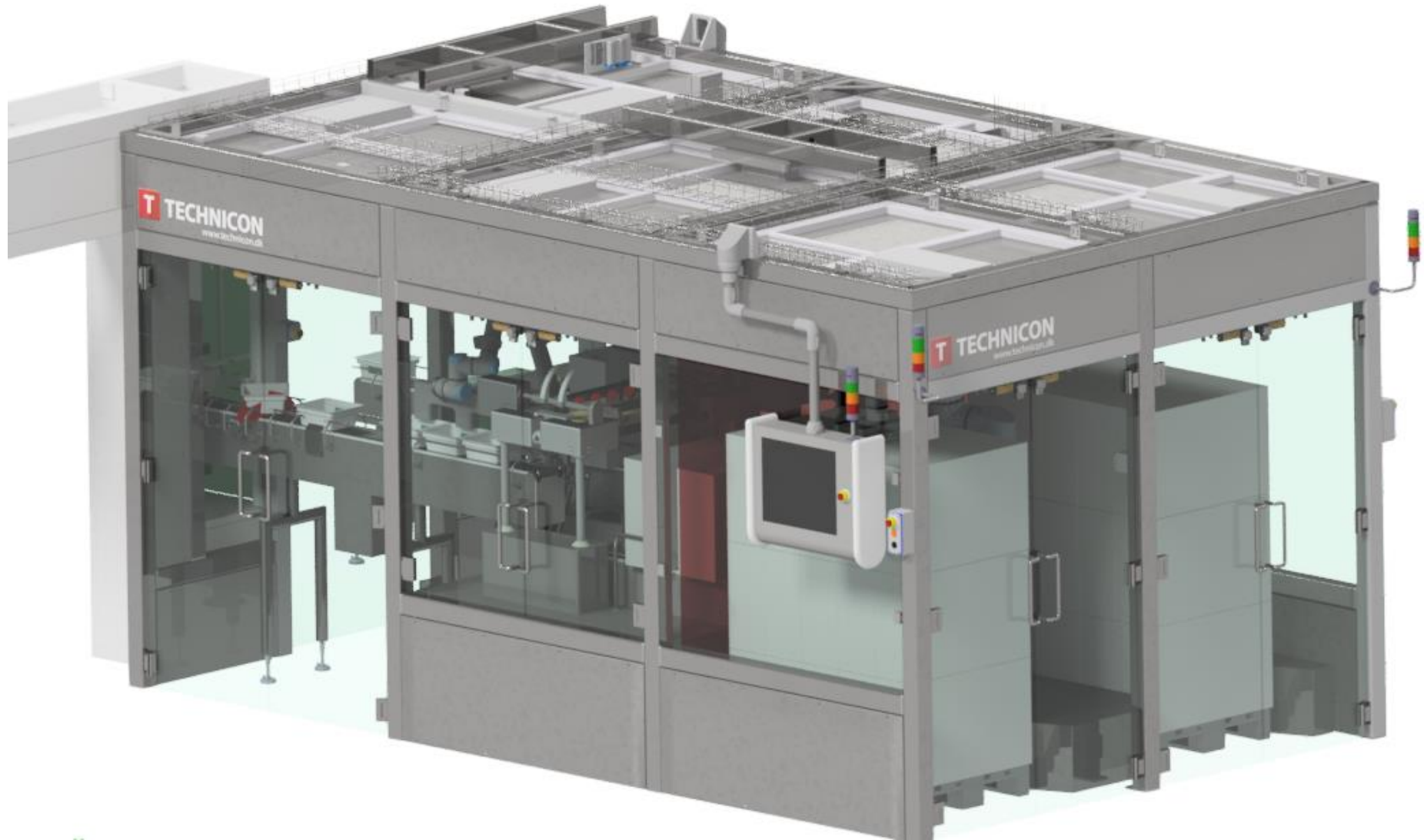
THE TECHNICON TUB UNLOAD & LOAD MODULE

- Improving **EHS**
- Improving **STABILITY**
- Improving **SCALABILITY**

RAYA 2024 Finalist Event



Stability, Modularity & Scalability



<https://youtu.be/AYvyVLtgWSw>

Area of Application



Area of Application



Area of Application

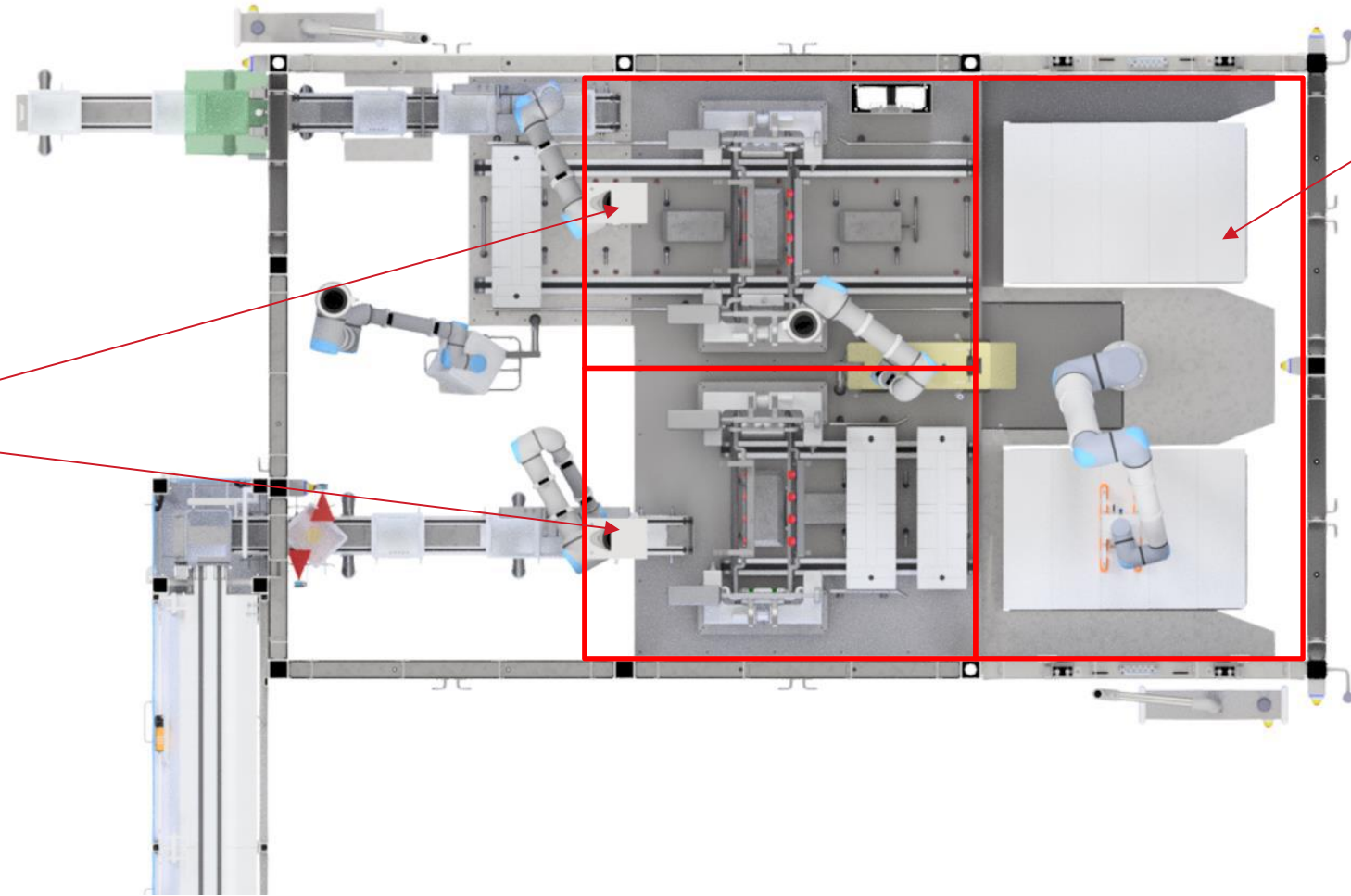
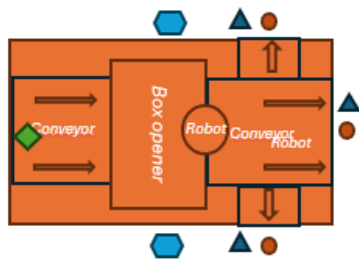
Every industry wherever
TUBs are used.



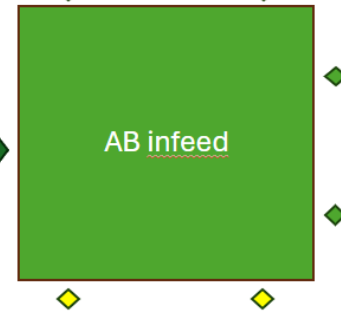
Easy to integrate

Modular design

TUB infeed module



AB infeed module

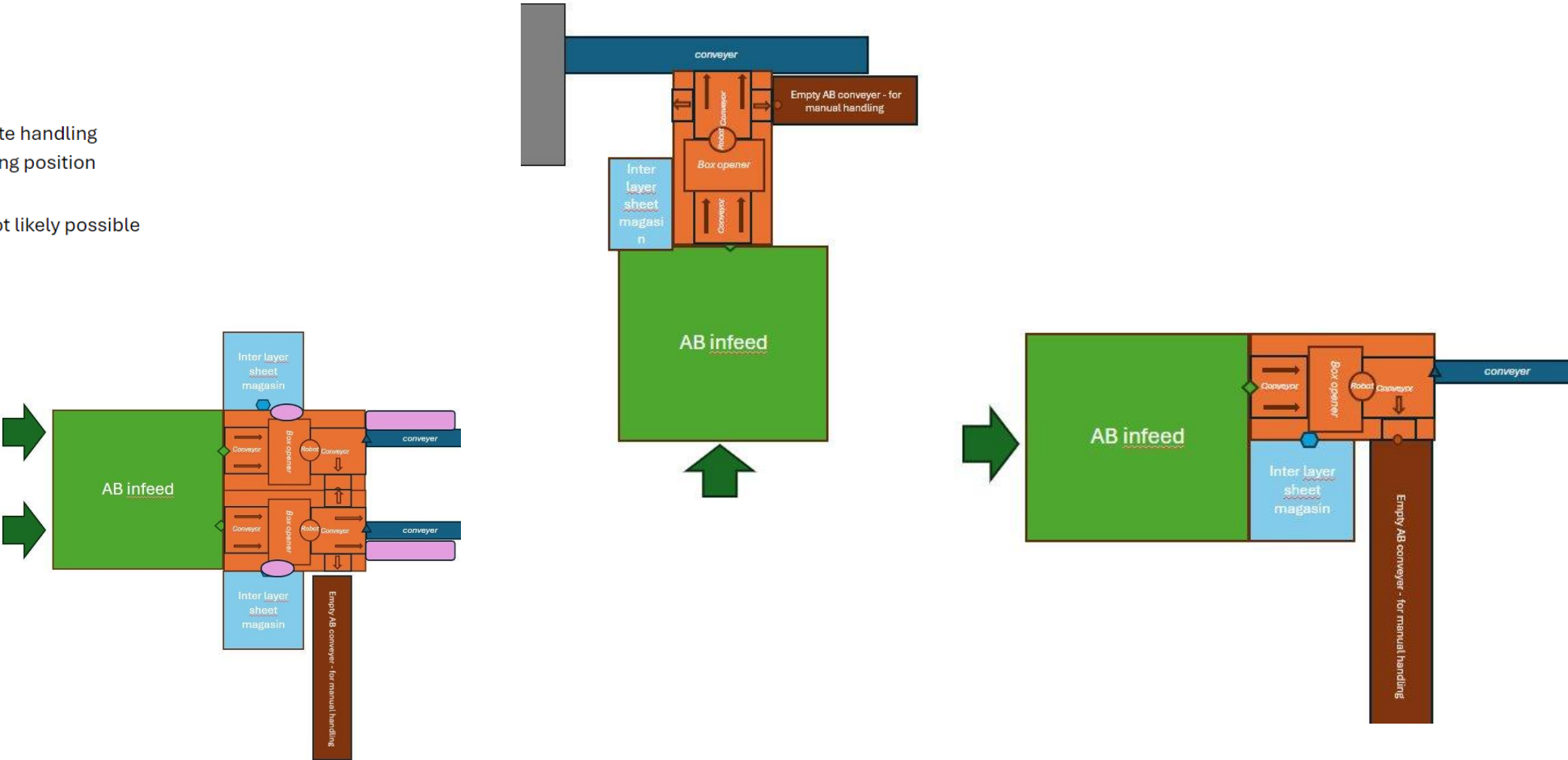


Easiness to integrate

Modular design

Load models overview.

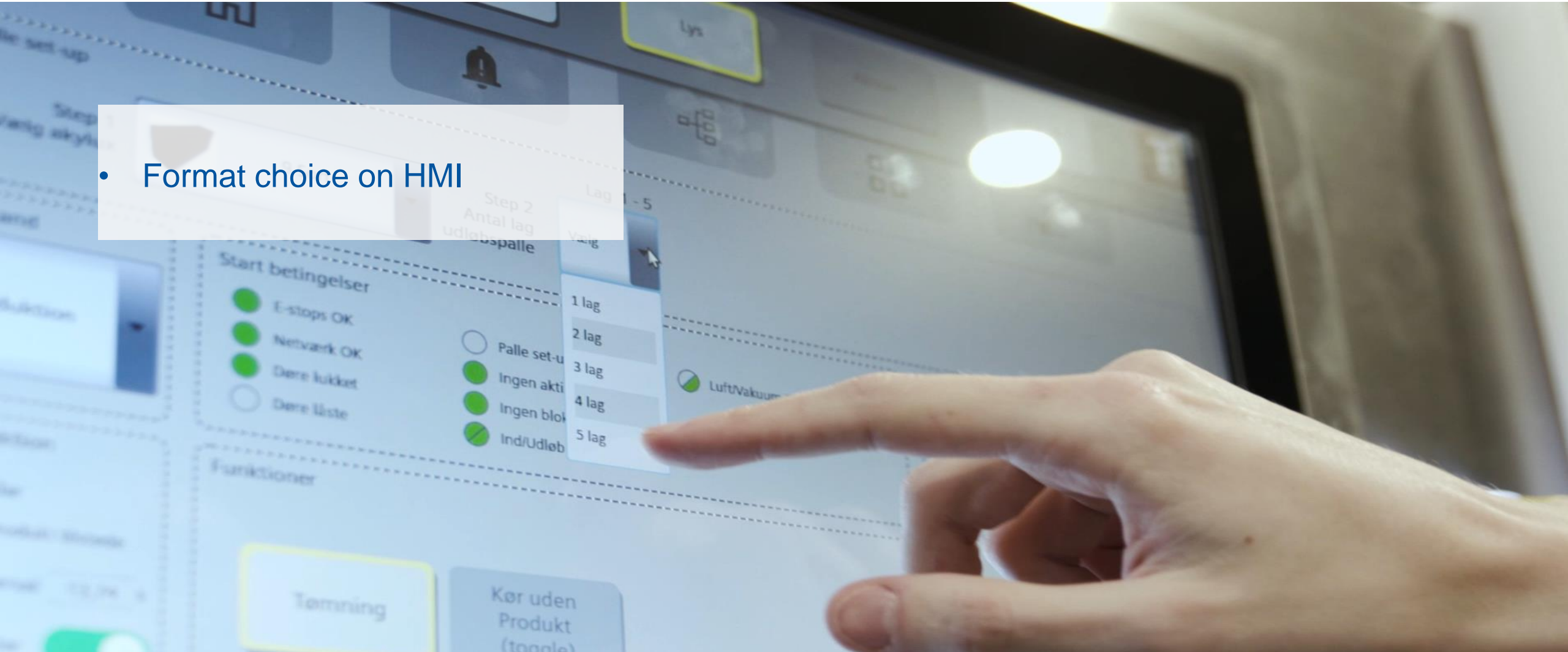
- = Possible AB interfaces for Waste handling
- ▲ = Possible TUB interfaces – turning position
- ◆ = Possible AB infeed positions
- ◇ = Possible AB infeed positions not likely possible
- = Possible directions of AB
- ➡ = Pallet infeed position
- ⬇ = Pallet infeed position



Flexibility & User-friendliness

Format

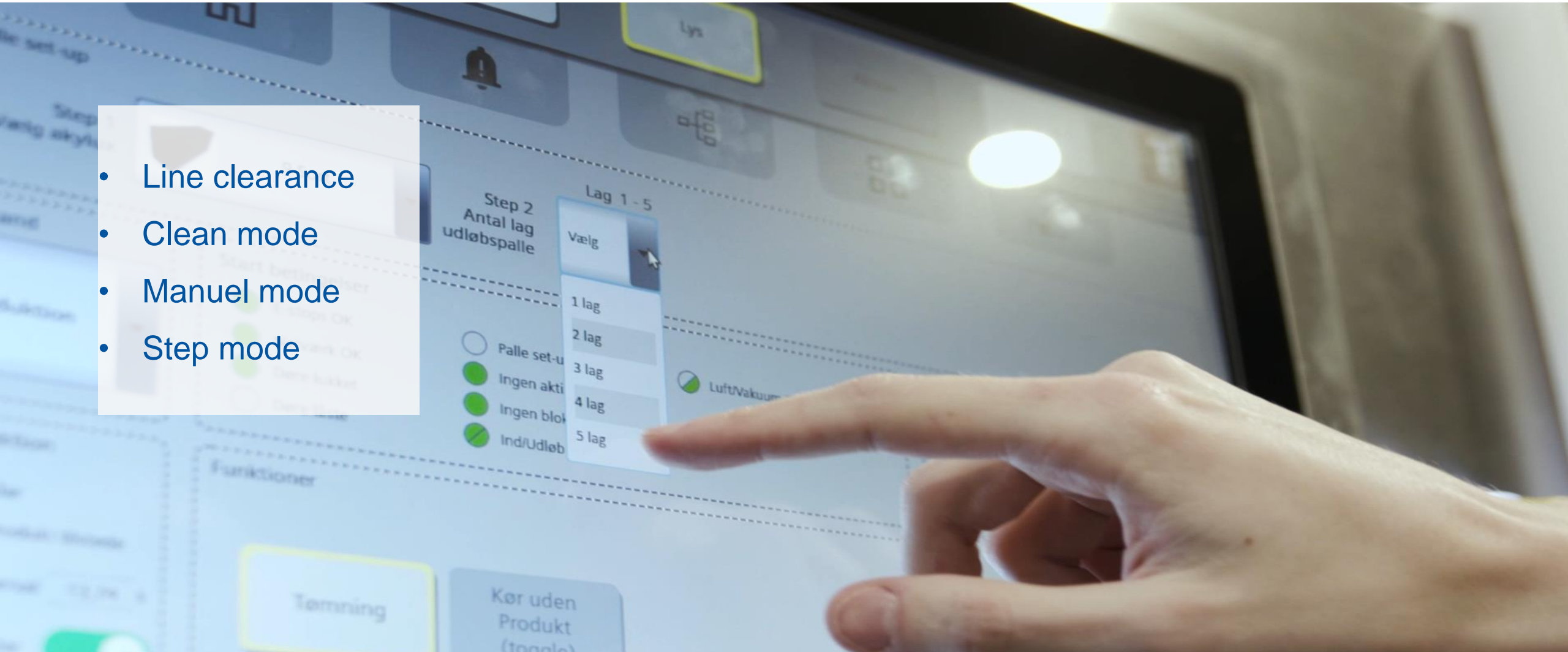
- Format choice on HMI



Flexibility & User-friendliness

Functions

- Line clearance
- Clean mode
- Manuel mode
- Step mode

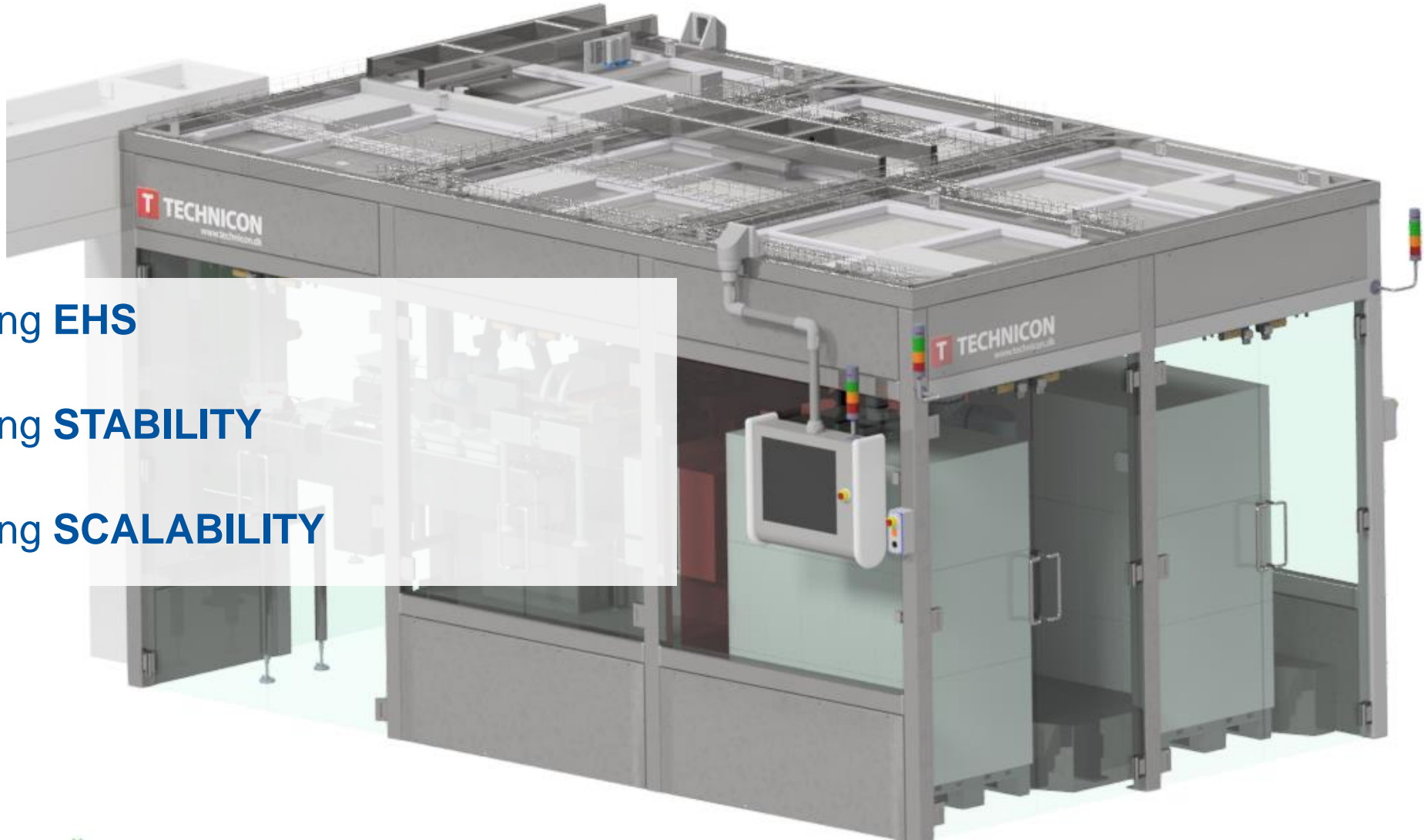


Flexibility & User-friendliness

Monitoring features

- Force detection
- Vision
- Sensors

Technicon Unload & Load Module



- Improving **EHS**
- Improving **STABILITY**
- Improving **SCALABILITY**

For any inquires

Video link
Technicon Unload & Load
ModuleTUB:



MVE@technicon.dk